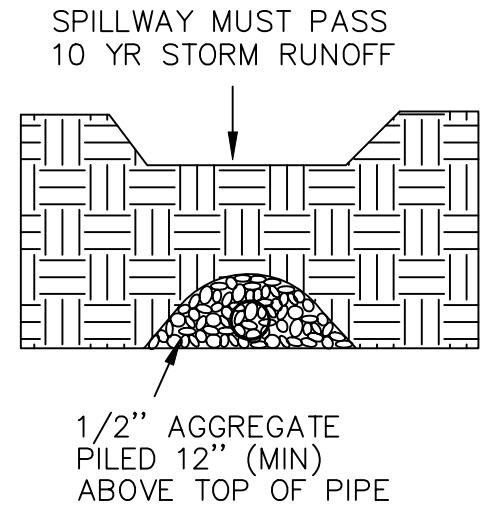
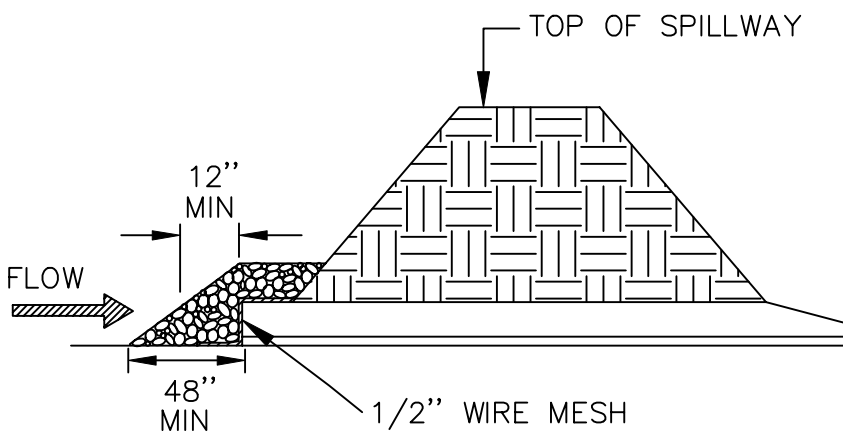


H (FT)	1.5	2.0	2.5	3.0	3.5	5.0	4.5	5.0
W (FT)	2.0	2.0	2.5	2.5	3.0	3.0	4.0	4.5



PIPE OUTLET WITH GRAVEL FILTER

NOTES:

1. SEDIMENT SHALL BE REMOVED WHEN ONE HALF OF THE BASIN DESIGN DEPTH HAS BEEN FILLED.
2. REMOVED SEDIMENT SHALL BE DEPOSITED IN AN AREA TRIBUTARY TO A SEDIMENT BASIN.

DRAWN BY: JSH
 CHECKED BY: RJH

APPROVED BY:
 DIRECTOR OF PUBLIC WORKS

CITY OF BOULDER, COLORADO

SEDIMENT TRAP

ISSUED: JULY 2, 1998
 REVISED: OCT. 17, 2000

DRAWING NO.

7.29