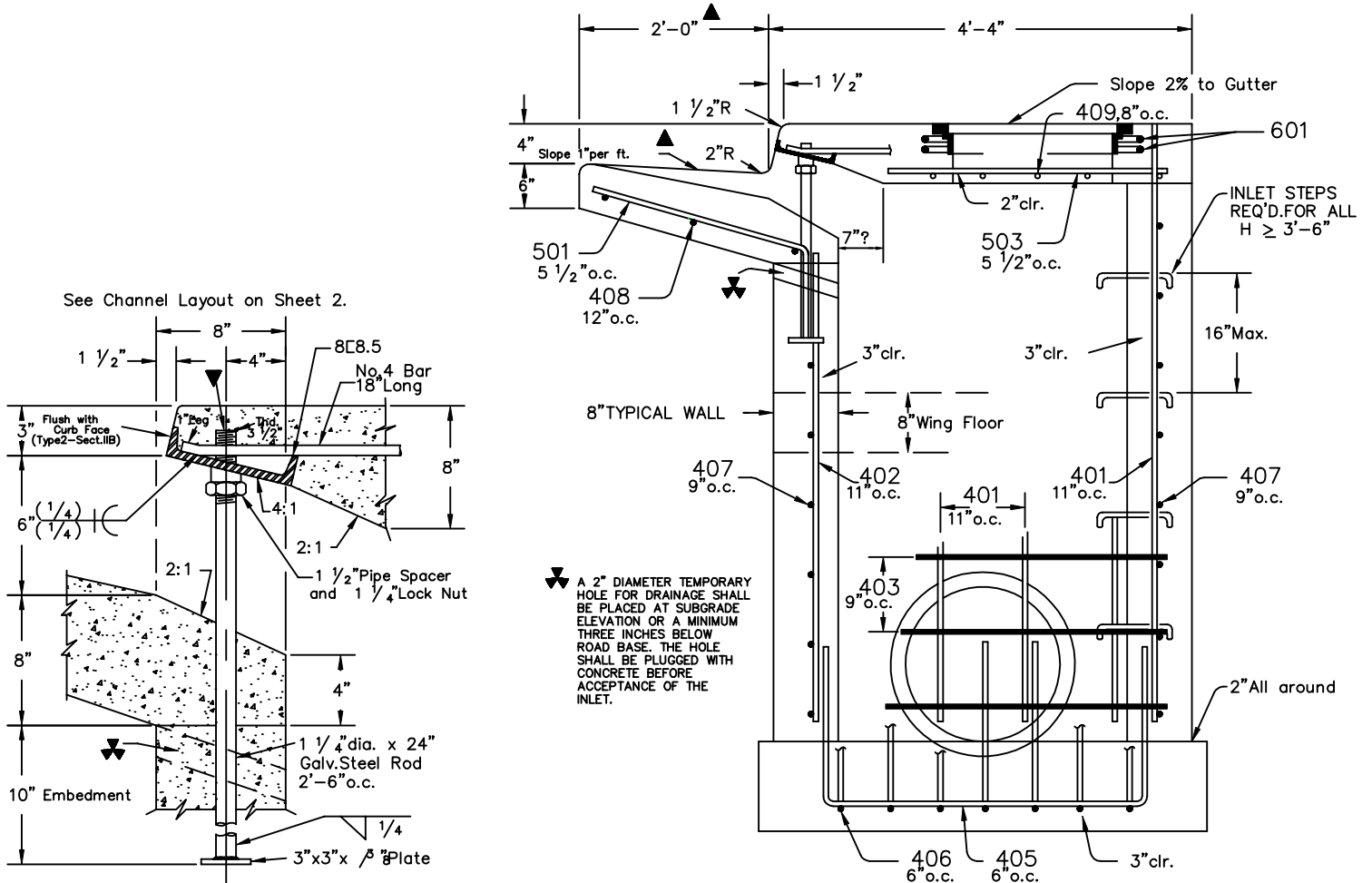


▲ - FOR A 1'-0" PAN SLOPE 2" per FT.

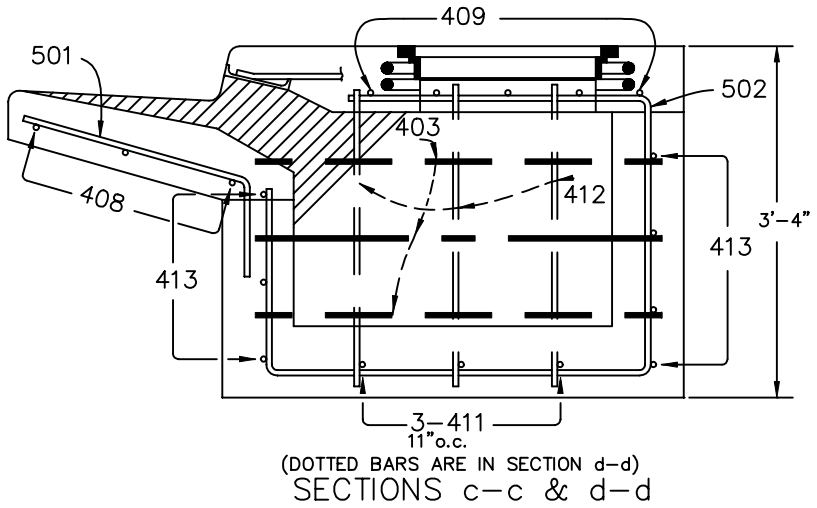


▲ A 2" DIAMETER TEMPORARY HOLE FOR DRAINAGE SHALL BE PLACED AT SUBGRADE ELEVATION OR A MINIMUM THREE INCHES BELOW ROAD BASE. THE HOLE SHALL BE PLUGGED WITH CONCRETE BEFORE ACCEPTANCE OF THE INLET.

SECTION B-B
TYPICAL END VIEW

NOTE: MANHOLE RING & COVER, STATION POINT AND OUTFLOW PIPE SHALL BE LOCATED AT THE SAME END OF THE INLET.

▼ CURB FACE ASSEMBLY, Place Entire Assembly Before Pouring Concrete.



DRAWN BY: CSM
CHECKED BY: RJH
APPROVED BY:
DIRECTOR OF PUBLIC WORKS

CITY OF BOULDER, COLORADO
TYPE R
CURB INLET

ISSUED: JULY 2, 1998
REVISED: OCT. 17, 2000

DRAWING NO.
7.08B