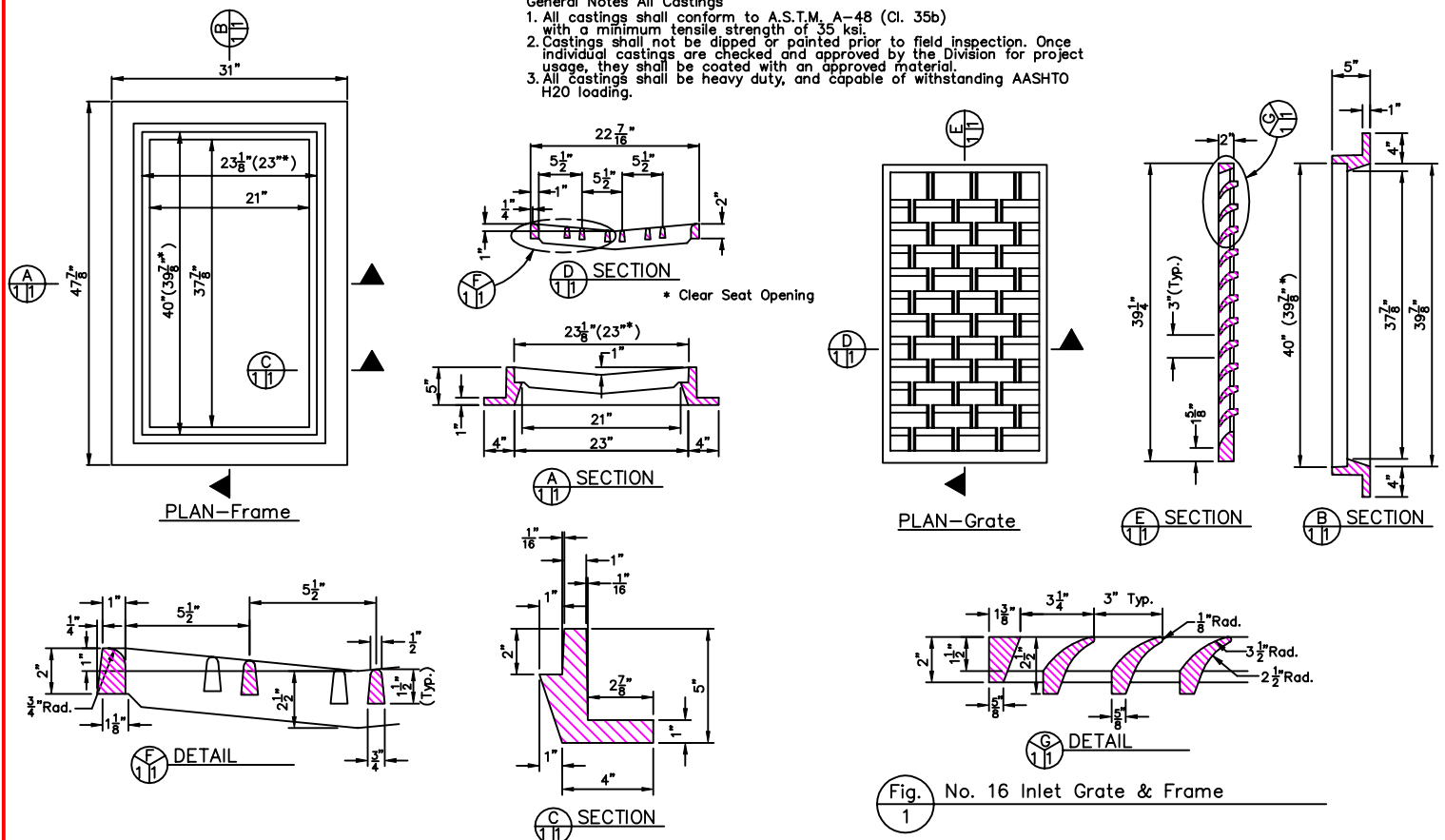


General Notes All Castings
 1. All castings shall conform to A.S.T.M. A-48 (Cl. 35b) with a minimum tensile strength of 35 ksi.
 2. Castings shall not be dipped or painted prior to field inspection. Once individual castings are checked and approved by the Division for project usage, they shall be coated with an approved material.
 3. All castings shall be heavy duty, and capable of withstanding AASHTO H20 loading.



DRAWN BY: CSM
 CHECKED BY: RJH
 APPROVED BY:
 DIRECTOR OF PUBLIC WORKS

CITY OF BOULDER, COLORADO
 NO. 16 INLET GRATE
 AND FRAME
 ADJUSTABLE CURB BOX

ISSUED: JULY 2, 1998
 REVISED: OCT. 17, 2000

DRAWING NO.
 7.07