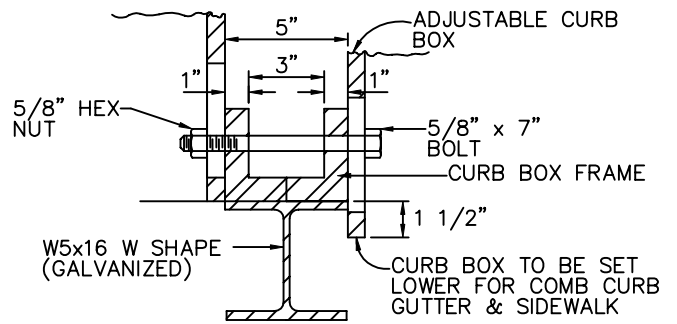
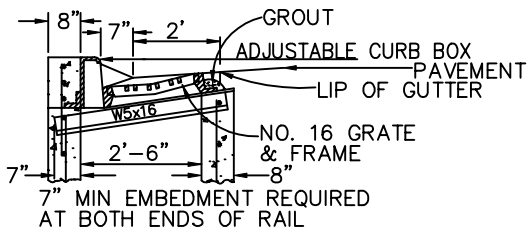


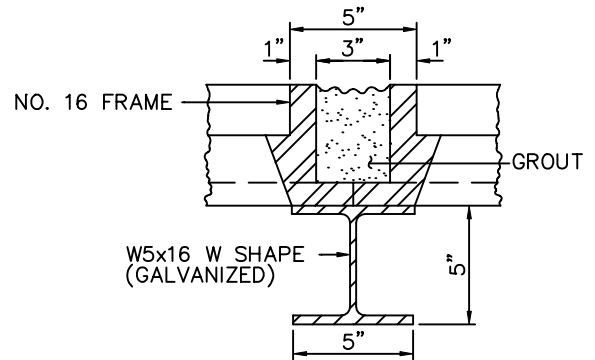
(B) SECTION



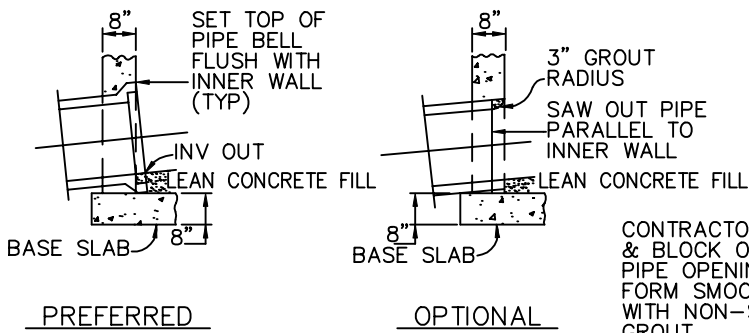
(D) CURB BOX PLACEMENT ON SUPPORT RAIL



(C) SECTION



(E) FRAME PLACEMENT ON SUPPORT RAIL



(F) CONNECTOR PIPE END TREATMENT

PREFERRED

OPTIONAL

CONTRACTOR TO NOTCH & BLOCK OUT AROUND PIPE OPENING AND FORM SMOOTH RADIUS WITH NON-SHRINK GROUT

DRAWN BY: JSH

CHECKED BY: RJH

APPROVED BY:
DIRECTOR OF PUBLIC WORKS

CITY OF BOULDER, COLORADO
TRIPLE NO. 16
OPEN THROAT INLET
ADJUSTABLE CURB BOX

ISSUED: JULY 2, 1998
REVISED: OCT. 17, 2000

DRAWING NO.
7.06B