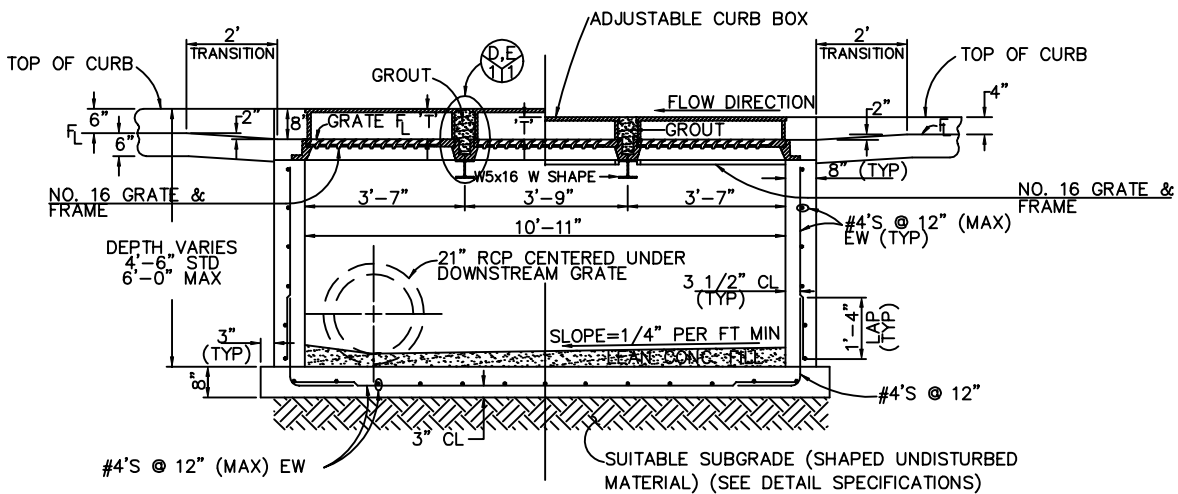
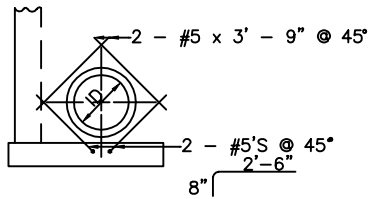


PLAN

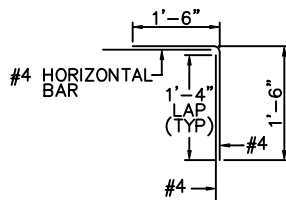
'T' = THROAT OPENING
 'T' = 6" FOR VERTICAL CURB & GUTTER
 'T' = 5" FOR COMBINATION CURB GUTTER & SIDEWALK
 DROP FROM GUTTER FL ELEVATION TO GRATE FL ELEVATION (TRANSITION) IS 2".



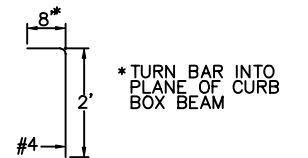
SECTION



REBAR PLACEMENT INLET WALL PENETRATION (TYP)



TYPICAL CORNER REBAR PLACEMENT



CURB BOX BEAM ANCHOR BAR (TYP)

DRAWN BY: JSH
 CHECKED BY: RJH

APPROVED BY:
 DIRECTOR OF PUBLIC WORKS

CITY OF BOULDER, COLORADO
 TRIPLE NO. 16
 OPEN THROAT INLET
 ADJUSTABLE CURB BOX

ISSUED: JULY 2, 1998
 REVISED: OCT. 17, 2000

DRAWING NO.
 7.06A