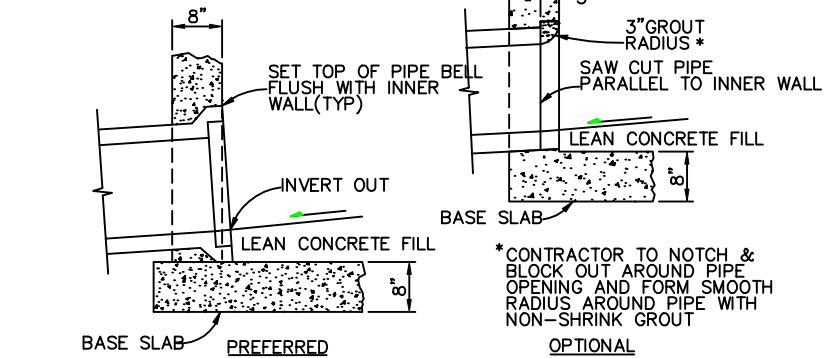
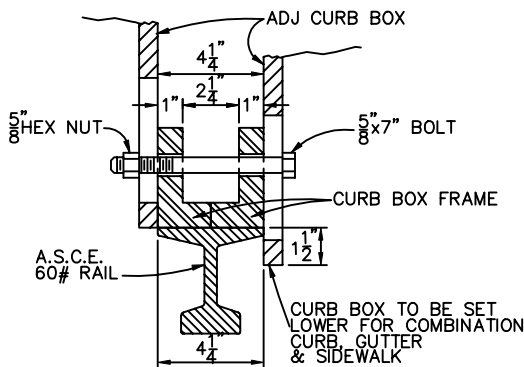


(B) SECTION VERTICAL CURB AND GUTTER

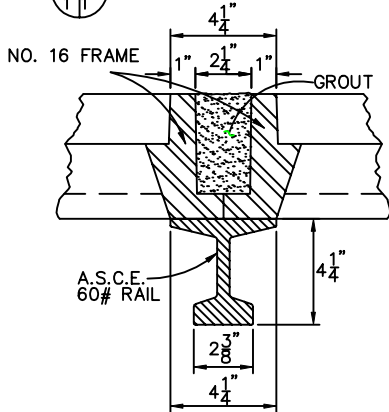
(C) SECTION COMBINATION CURB, GUTTER & SIDEWALK



(F) CONNECTOR PIPE END TREATMENT (TYP)



(D) PLACEMENT OF ADJ CURB BOX ON SUPPORT RAIL (TYP)



(E) FRAME PLACEMENT ON SUPPORT RAIL (TYP)

NOTES:

1. FOR PAYMENT PURPOSES, INLET STRUCTURE SHALL ALSO INCLUDE 2'-0" CURB AND GUTTER TRANSITION SECTION AT EACH END OF INLET PLUS SIDEWALK SECTIONS WHERE REQUIRED BEHIND INLET STRUCTURE AND TRANSITION SECTIONS.
2. STANDARD INLET DEPTH=4'-0". INLETS DEEPER THAN 6' MAXIMUM DEPTH SHALL REQUIRE SUBMISSION OF SHOP DRAWINGS AND DESIGN ANALYSIS FOR APPROVAL.
3. MINIMUM CONNECTOR PIPE DIAMETER=16". MIN SLOPE=1.8%.
4. ALL WORK SHALL CONFORM TO AASHTO "STANDARD SPECIFICATIONS FOR HIGHWAY BRIDGES" 1990 EDITION.
5. CONCRETE SHALL HAVE A 28 DAY STRENGTH OF 4000 PSI.
6. FLOOR SLOPE MAY BE POURED MONOLITHIC WITH BASE.
7. NO FORMWORK SHALL REMAIN INSIDE STRUCTURE WHEN COMPLETED.
8. ALL REINFORCING STEEL SHALL BE ASTM, A-615, GRADE 60 DEFORMED BARS. DIAMETER OF BEND MEASURED ON THE INSIDE OF THE BAR SHALL BE A MINIMUM OF 6 BAR DIAMETERS.
9. ALL REINFORCING STEEL SHALL BE 2" (MIN) CLEARANCE FROM FORMED SURFACES, AND 3" CLEARANCE AGAINST EARTH UNLESS OTHERWISE NOTED.
10. SPlicing OF REINFORCING STEEL SHALL BE PERMITTED ONLY WHERE DETAILED IN DRAWINGS.
11. SUB-GRADE SHALL BE SHAPED UNDISTURBED MATERIAL OR OVER EXCAVATED AND BACKFILLED WITH CLASS B BEDDING MATERIAL.
12. SUB-GRADE SHALL BE A GRADATION EQUAL TO CLASS B BEDDING COMPACTED TO 95% MAXIMUM DRY DENSITY, AASHTO DESIGNATION T-180.
13. BACKFILL AROUND STRUCTURE TO BE HAND TAMPERED IN 6" LIFTS. (BACKFILL METHOD B).
14. INLET WALLS SHALL BE FORMED BOTH INSIDE AND OUTSIDE. CASTINGS OF SIDEWALLS AGAINST EARTH IS NOT PERMITTED.
15. LEAN CONCRETE FILL TO BE $f'_c = 2000$ PSI.
16. DOUBLE AND TRIPLE NO. 16 INLETS ARE TO BE INSTALLED ON A TANGENT (STRAIGHT) PORTION OF CURB ONLY AND SHALL NOT BE INSTALLED WITHIN A CURB RADIUS OR OTHER CURVILINEAR CURB AND GUTTER SECTIONS.

DRAWN BY: JSH

CHECKED BY: RJH

APPROVED BY:
DIRECTOR OF PUBLIC WORKS

CITY OF BOULDER, COLORADO
DOUBLE NO. 16
OPEN THROAT INLET
ADJUSTABLE CURB BOX

ISSUED: JULY 2, 1998
REVISED: OCT. 17, 2000

DRAWING NO.
7.05B