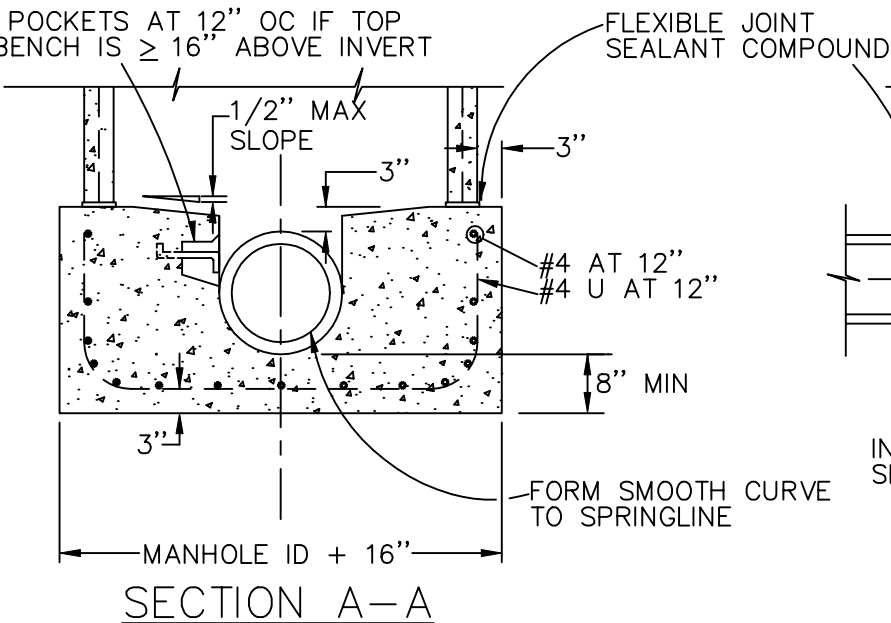


TOE POCKET DETAILS

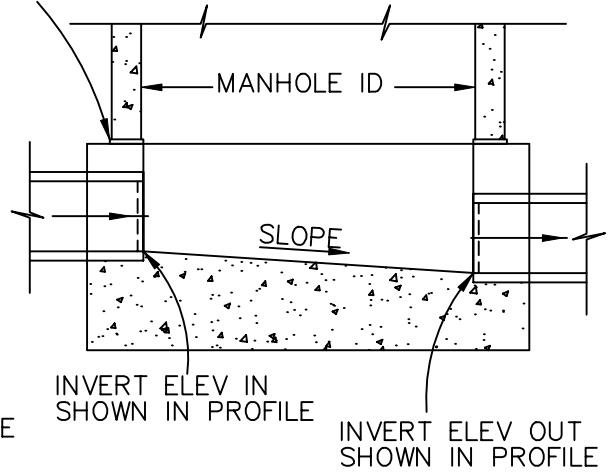
NOTES:

1. SHAPING FOR SMOOTH MANHOLE INVERTS MAY BE DONE BY FORMING OR SHAPING WITH CEMENT MORTAR.
2. THE MANHOLE STEPS SHALL BE ALUMINUM OR POLYPROPYLENE, SEE DETAIL DRAWING NO. 6.05A OR 6.05B
3. PRECAST SECTION TO CONFORM TO ASTM C-478.
4. STUB OUTS SHALL EXTEND 2 FEET MINIMUM PAST MANHOLE OUTSIDE DIAMETER AND BE SATISFACTORILY PLUGGED.
5. MANHOLE BASE SHALL BE CONSTRUCTED USING 6000 PSI CONCRETE

TOE POCKETS AT 12" OC IF TOP OF BENCH IS ≥ 16" ABOVE INVERT



SECTION A-A



SECTION B-B

DRAWN BY: JSH
 CHECKED BY: RJH
 APPROVED BY:
 DIRECTOR OF PUBLIC WORKS

CITY OF BOULDER, COLORADO
 STORM SEWER
 MANHOLE BASE

ISSUED: JULY 2, 1998
 REVISED: OCT. 17, 2000

DRAWING NO.
 7.02