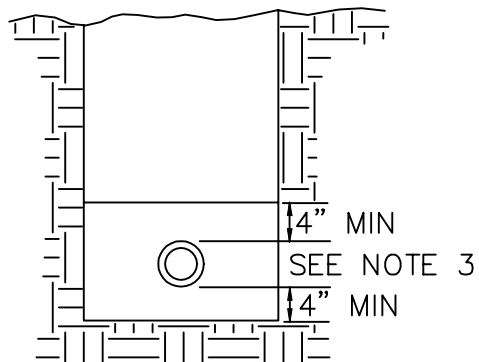
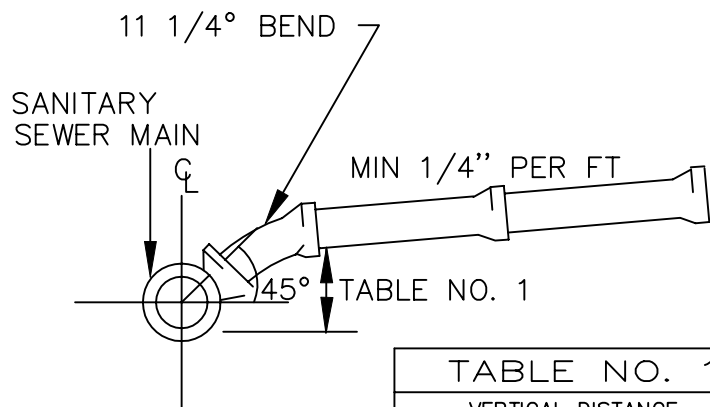


MINIMUM TRENCH WIDTH SHALL BE THE DIAMETER OF THE PIPE PLUS 8"

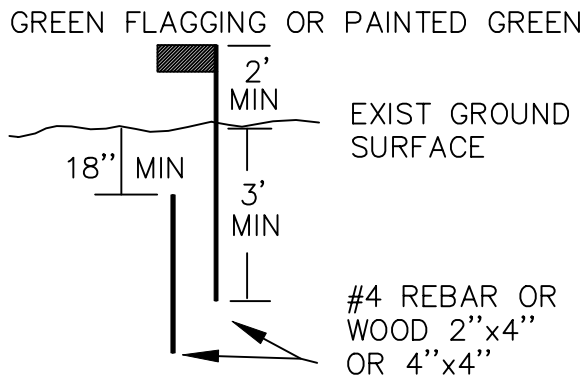


CROSS SECTION



PROFILE

TABLE NO. 1		
VERTICAL DISTANCE FROM FLOWLINE OF MAIN TO FLOWLINE OF SERVICE LINE		
MAIN SIZE	4" SERVICE	6" SERVICE
8"	6"	10"
10"	11"	12"
12"	12"	13"
15"	15"	16.5"



MARKER POST
(AT SERVICE STUB OUT)

NOTES:

1. ALL SERVICE LINES SHALL BE 4" MINIMUM IN DIAMETER.
2. THE MINIMUM SLOPE FOR 4" OR 6" SERVICE LINES SHALL BE 1/4" PER FOOT.
3. BEDDING FOR HOUSE CONNECTION WITHIN CITY ROW SHALL BE THE SAME AS FOR SEWER MAIN, LAID TO A MINIMUM DEPTH OF 4" BELOW THE PIPE INVERT AND 4" ABOVE THE TOP OF THE PIPE.
4. ALL TAPS ARE TO BE MADE BY THE CITY OF BOULDER, UNLESS OTHERWISE AUTHORIZED BY THE UTILITY DIVISION.
5. SERVICE LINES LARGER THAN 6" MUST BE CONNECTED TO THE MAIN AT A MANHOLE.
6. SERVICE LINE WILL BE PLUGGED AT THE PROPERTY LINE WITH APPROPRIATE PLUG FOR TYPE OF LINE INSTALLED UNTIL CONNECTED TO BUILDING. AFTER ABANDONMENT OF A SERVICE LINE IT MUST BE PLUGGED 5' INSIDE THE PROPERTY. LINE.
7. COMPACTION OF BACKFILL SHALL BE AS STATED IN THE CITY OF BOULDER, STANDARD SPECIFICATIONS.

DRAWN BY: JSH
CHECKED BY: RJH

APPROVED BY:
DIRECTOR OF PUBLIC WORKS

CITY OF BOULDER, COLORADO
SEWER SERVICE
LINE

ISSUED: JULY 2, 1998
REVISED: OCT. 17, 2000

DRAWING NO.
6.06