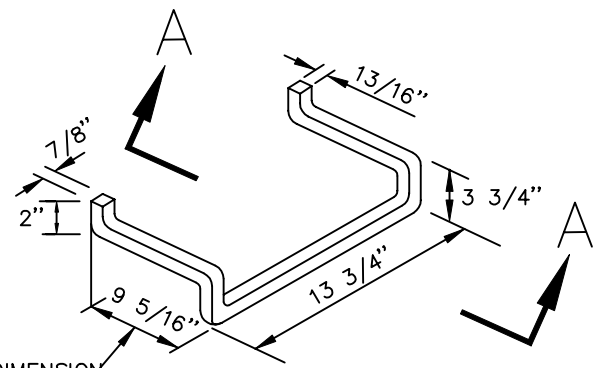
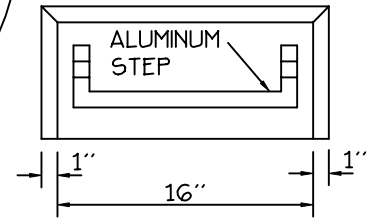
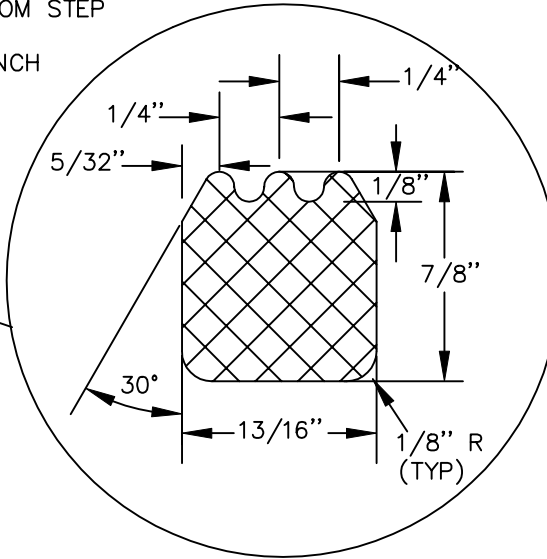


SECTION A-A

MINIMUM DIMENSION  
ADDITIONAL LENGTH MAY BE  
REQUIRED IN SOME INSTALLATIONS TO  
PROVIDE 3 15/16" MINIMUM EMBEDMENT  
IN MONOLITHIC CONCRETE POUR



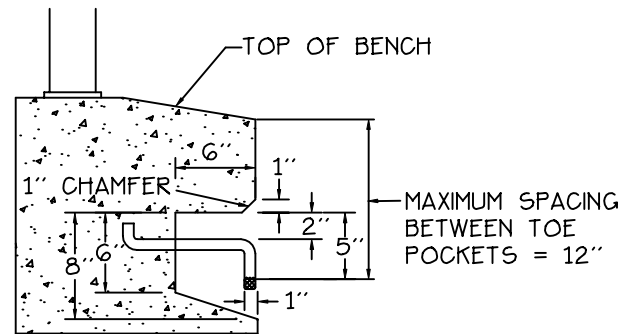
PLAN



NOTES:

1. ALUMINUM ALLOY SPECIFICATIONS:
  - A. FED. SPEC. QQ-A200/8  
(ALUMINUM-MAGNESIUM-SILICATE ALLOY, ASTM-B221)
  - B. MINIMUM TENSILE STRENGTH = 38,000 PSI
  - C. MINIMUM YIELD STRENGTH = 35.00 PSI
  - D. MINIMUM ELONGATION = 10% IN 2 INCHES
2. MINIMUM LOAD CAPACITY (APPLIED AT CENTER OF STEP)  
1000 POUNDS PER STEP.
3. WEIGHT PER STEP = 2.23 POUNDS.
4. STEPS TO BE CAST, UNALTERED, IN MANHOLE WALL IN A  
STRAIGHT LINE, VERTICALLY, AT SAME TIME THE BARREL  
OR CONE SECTIONS ARE CAST.
5. TOE POCKETS ARE REQUIRED IN STORM SEWER MANHOLES  
IF TOP OF BENCH IS MORE THAN 16" ABOVE INVERT.  
TOE POCKETS ARE NOT REQUIRED IN SANITARY SEWER  
MANHOLES UNLESS OTHERWISE SPECIFIED.
6. COVER EMBEDDED PORTION OF  
ALUMINUM STEP WITH COAL TAR  
ENAMEL PRIOR TO EMBEDDING IN CONCRETE.

DETAILS - TOE POCKETS



DRAWN BY: JSH

CHECKED BY: RJH

APPROVED BY:  
DIRECTOR OF PUBLIC WORKS

CITY OF BOULDER, COLORADO  
STANDARD  
EXTRUDED ALUMINUM  
MANHOLE STEP

ISSUED: JULY 2, 1998  
REVISED: OCT. 17, 2000

DRAWING NO.

6.05A