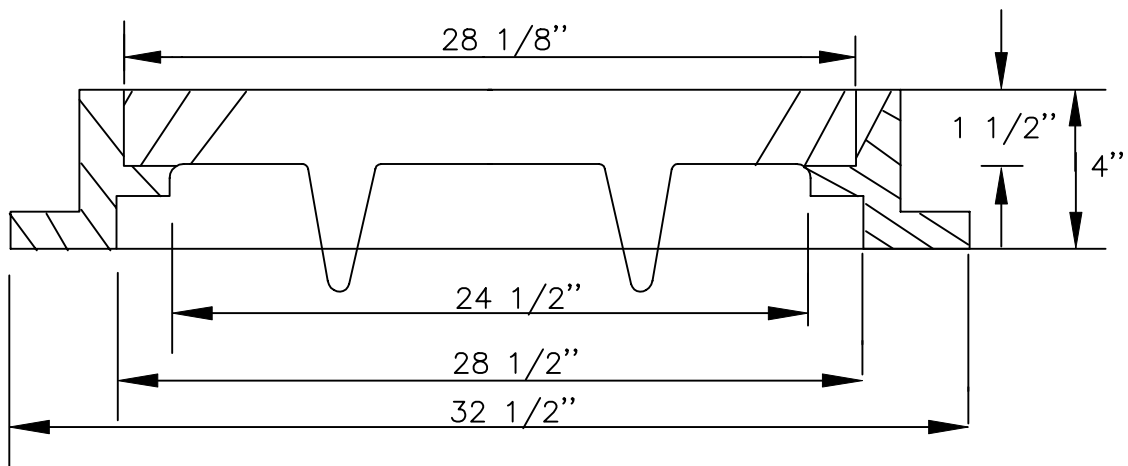


NOTE: STANDARD FRAME AND COVER FOR MANHOLE LOCATED OUTSIDE DEDICATED STREET ROW AND WHERE SURFACE RUNOFF CANNOT BE AVOIDED.



NEENAH PRESSURE TYPE ROUND MH FRAME, C/S BOLTED LID R-6462-GH OR APPROVED EQUAL (SUBMIT TO CITY FOR APPROVAL)

DRAWN BY: JSH

CHECKED BY: RJH

APPROVED BY:  
DIRECTOR OF PUBLIC WORKS

CITY OF BOULDER, COLORADO  
STANDARD MANHOLE  
BOLT-DOWN WATER-TIGHT  
FRAME AND COVER

ISSUED: JULY 2, 1998

REVISED: OCT. 17, 2000

DRAWING NO.

6.04