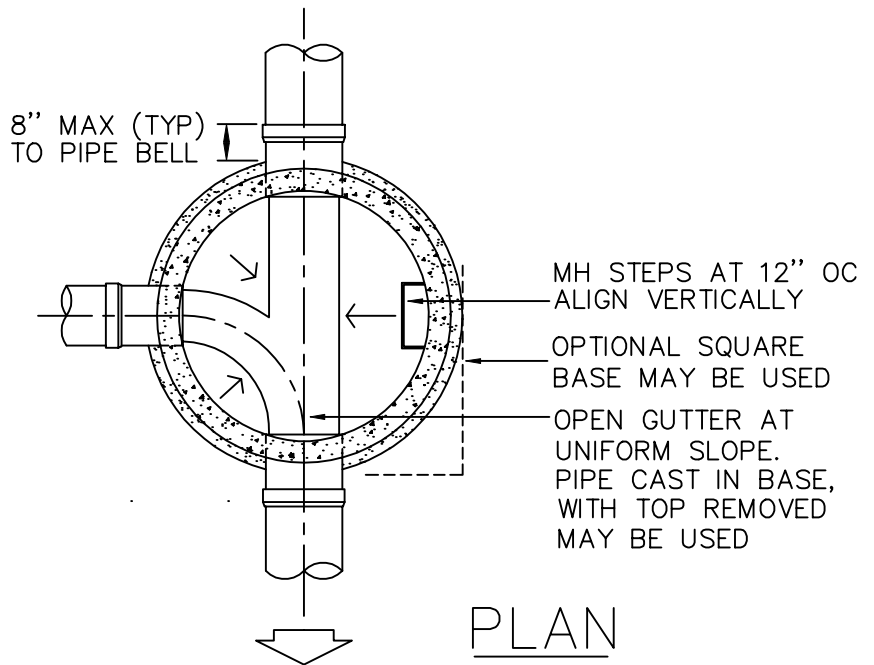
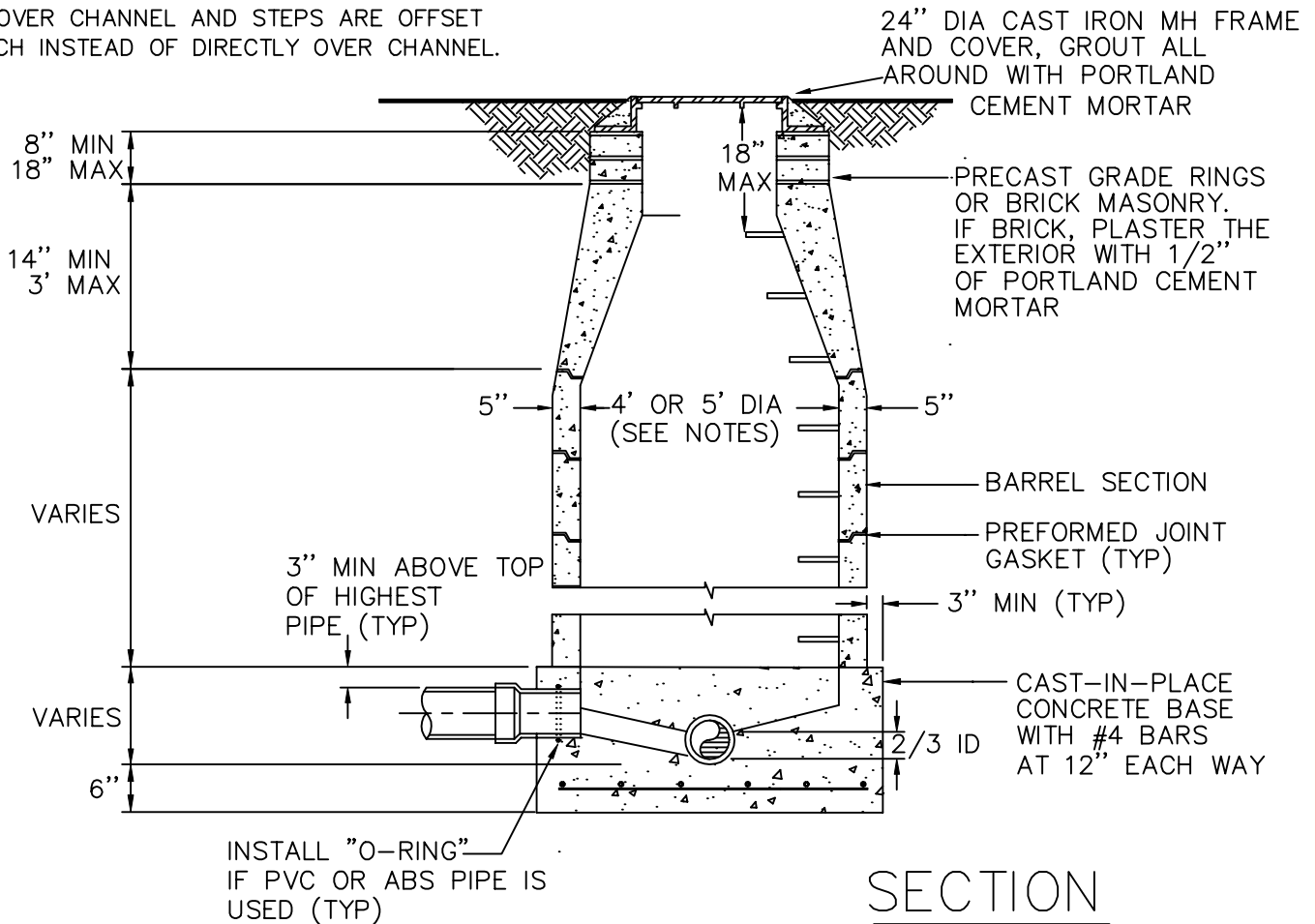


NOTES:

1. 4' MANHOLES SHALL BE USED FOR PIPES UP TO 24" DIAMETER.
2. 5' MANHOLES SHALL BE USED FOR PIPES FROM 27"-36" DIAMETER.
3. SPECIAL MANHOLES SHALL BE USED FOR PIPES LARGER THAN 36" DIAMETER.
4. MANHOLES LESS THAN OR EQUAL TO 6' FROM TOP OF CASTING TO INVERT SHALL HAVE FLAT TOPS WITH CONCENTRIC OPENING. ALL ADJUSTING RINGS, CASTINGS, INVERTS, BOTTOMS, ETC., SHALL BE SIMILAR TO SHOWN MANHOLE.
5. REFER TO SPECIFICATIONS FOR MATERIAL, INSTALLATION, TESTING, BACKFILL AND SURFACE RESTORATION REQUIREMENTS.
6. ECCENTRIC CONES WILL BE ALLOWED IF OPENING IS SET OVER CHANNEL AND STEPS ARE OFFSET TO BENCH INSTEAD OF DIRECTLY OVER CHANNEL.



PLAN



SECTION

DRAWN BY: JSH
 CHECKED BY: RJH
 APPROVED BY:
 DIRECTOR OF PUBLIC WORKS

CITY OF BOULDER, COLORADO
 STANDARD SEWER
 MANHOLE

ISSUED: JULY 2, 1998
 REVISED: OCT. 17, 2000

DRAWING NO.
 6.01