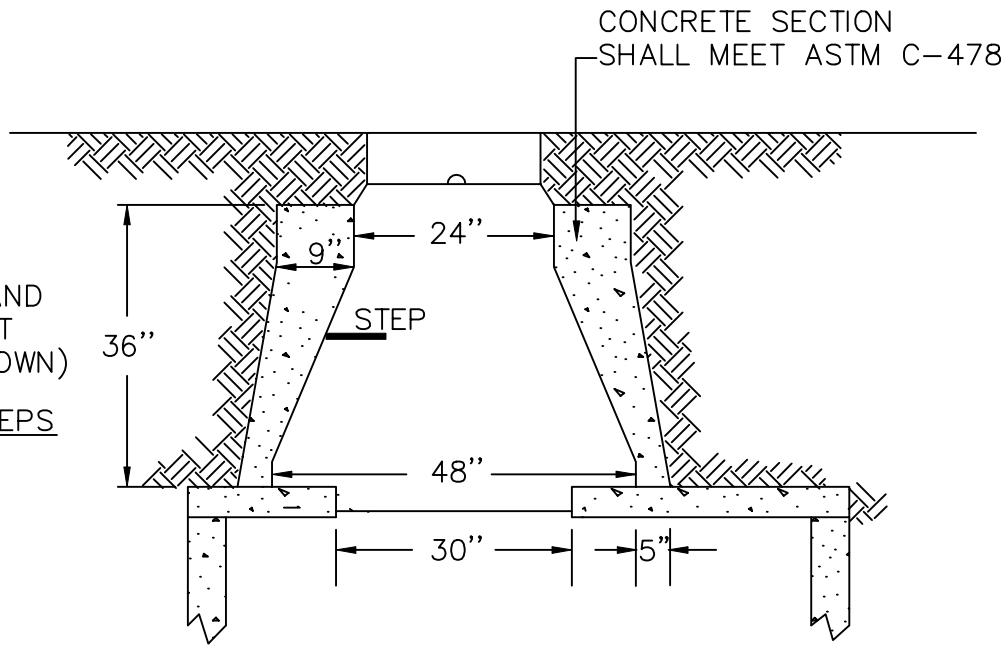
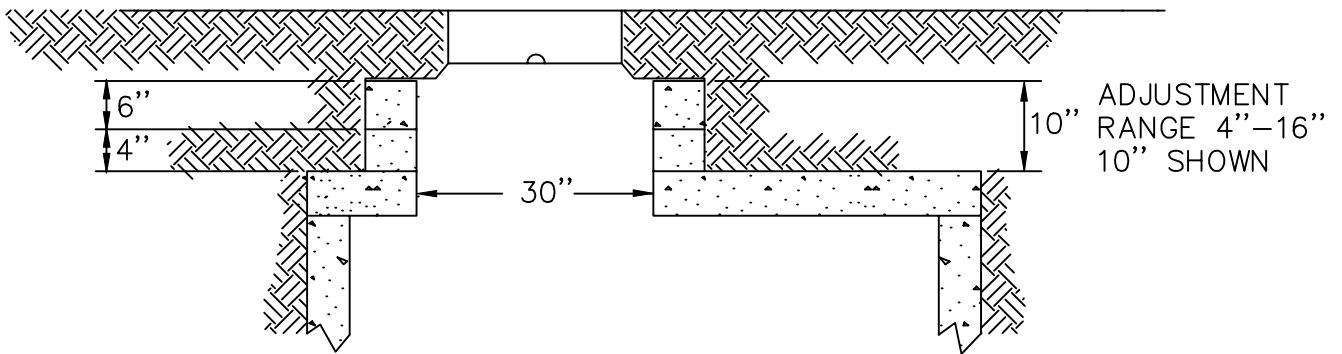


18", 24", 30" AND  
36" ADJUSTMENT  
RANGE (36" SHOWN)

INSTALL STEPS  
AFTER 24"



DEEP PIT



ADJUSTMENT  
RANGE 4"-16"  
10" SHOWN

PRECAST REINFORCED ADJUSTING  
RINGS SHALL BE 4" OR 6" THICK  
AND SHALL MEET ASTM C-478

SHALLOW PIT

DRAWN BY: JSH

CHECKED BY: RJH

APPROVED BY:  
DIRECTOR OF PUBLIC WORKS

CITY OF BOULDER, COLORADO  
METER PIT DEPTH  
ADJUSTMENT  
3" AND 4" SERVICE

ISSUED: JULY 2, 1998  
REVISED: OCT. 17, 2000

DRAWING NO.  
5.18D