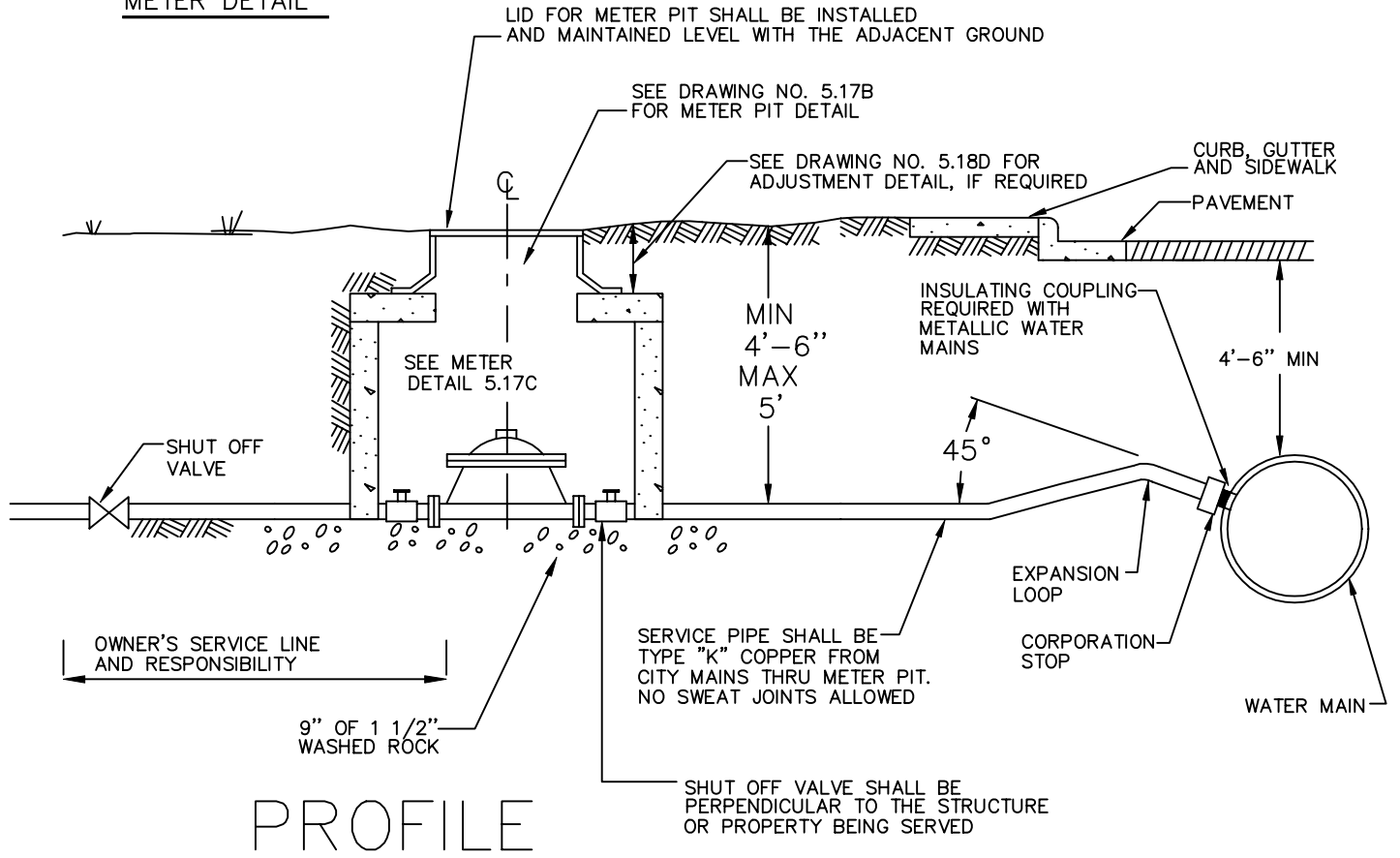
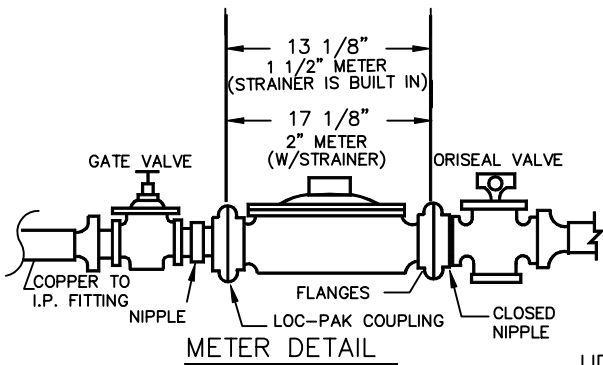


NOTES:

1. SHOULD ANY SITUATION ARISE OTHER THAN SHOWN CONCERNING THE DEPTH OR OBSTRUCTION OF SERVICE LINE OR PLACEMENT OF METER PIT, CALL CITY OF BOULDER ROW INSPECTOR.
2. METER TO BE PLACED IN PUBLIC ROW OR EASEMENT. DO NOT PLACE IN SIDEWALK OR DRIVE.
3. PLACEMENT OF METER PIT SHALL BE 3' FROM CENTERLINE OF LID TO BACK EDGE OF CURB/WALK OR IF SIDEWALK IS SEPARATE FROM CURB. METER PIT SHALL BE INSTALLED ON STREET SIDE OF WALK 3' FROM FRONT SIDE OF WALK.
4. METER, METER PIT FITTINGS, AND LID WITH 36" FLANGE FITTINGS SHALL BE PURCHASED FROM THE CITY OF BOULDER.
5. METER SHALL BE INSTALLED BY THE CITY.
6. CORPORATION STOP AND DOUBLE STRAP BRONZE SERVICE SADDLE REQUIRED FOR PVC WATER MAINS.



PROFILE

DRAWN BY: CSM

CHECKED BY: RJH

APPROVED BY:
DIRECTOR OF PUBLIC WORKS

CITY OF BOULDER, COLORADO
STANDARD
1 1/2" - 2"
IRRIGATION SERVICE

ISSUED: JUNE 9, 2000

REVISED: OCT. 17, 2000

DRAWING NO.

5.17D