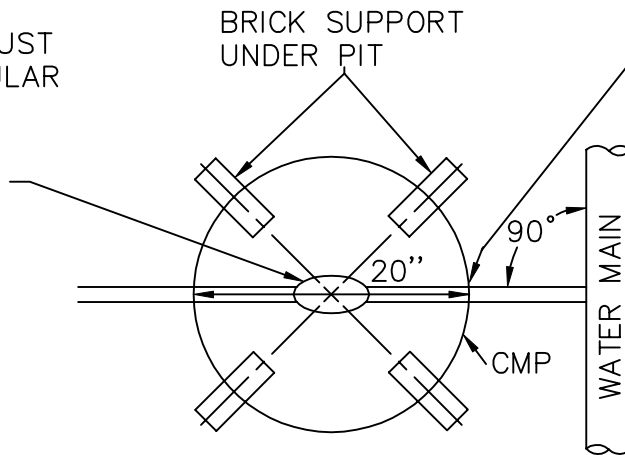


NOTCH PIT AND FOLD BACK WHERE
COPPER ENTERS AND LEAVES PIT

METER YOKE MUST
BE PERPENDICULAR
TO STRUCTURE
OR PROPERTY
BEING SERVED



METER PIT PLAN

SEE DETAIL DRAWING NO. 5.16A FOR PROFILE VIEW

NOTES:

1. METERS TO BE PLACED IN PUBLIC ROW OR EASEMENT.
DO NOT PLACE IN SIDEWALK OR DRIVE.
2. SHOULD ANY SITUATION ARISE OTHER THAN SHOWN
CONCERNING THE DEPTH OR OBSTRUCTION OF SERVICE
LINE OR THE PLACEMENT OF METER PIT, CALL THE
CITY OF BOULDER ROW INSPECTOR.

DRAWN BY: JSH

CHECKED BY: RJH

APPROVED BY:
DIRECTOR OF PUBLIC WORKS

CITY OF BOULDER, COLORADO

STANDARD METER PIT
3/4" - 1" SERVICES

ISSUED: JULY 2, 1998

REVISED: OCT. 17, 2000

DRAWING NO.

5.16B