

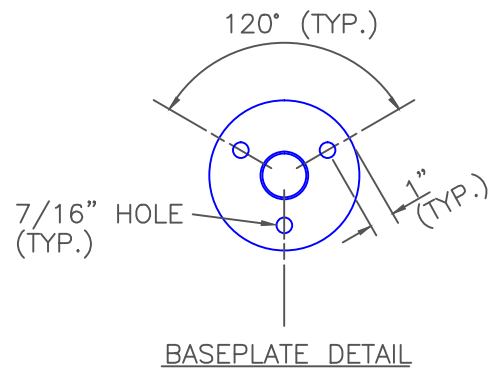
NOTES:

DIMENSIONS:

1. HEIGHT-33" FROM THE GROUND
2. CONTINUOUS BEND INSIDE RADIUS=7"

MATERIALS AND CONSTRUCTION:

1. MINIMUM OR 1 1/4" SCHEDULE 40 STEEL PIPE (1 5/8" OUTSIDE DIAMETER)
2. MAXIMUM 1 1/2" SCHEDULE 40 STEEL PIPE (2" OUTSIDE DIAMETER)
3. SOLID ONE-PIECE CONSTRUCTION; CONTINUOUS BEND; LEGS 14"-18" APART
4. GALVANIZED WITH BLACK POWDER COAT FINISH
5. FLUSH MOUNTED WITH WELDED BASE PLATES (6" DIAMETER, 3/16" THICK BASE PLATE). HIDDEN OR VANDAL-RESISTANT FASTENERS (SCREWS OR EXPANSION BOLTS)



DRAWN BY: JSH
 CHECKED BY: RJH

APPROVED BY:
 DIRECTOR OF PUBLIC WORKS

CITY OF BOULDER, COLORADO

INVERTED "U"
 BICYCLE RACKS

ISSUED: JULY 2, 1998
 REVISED: OCT 6, 2009

DRAWING NO.
 2.52.A