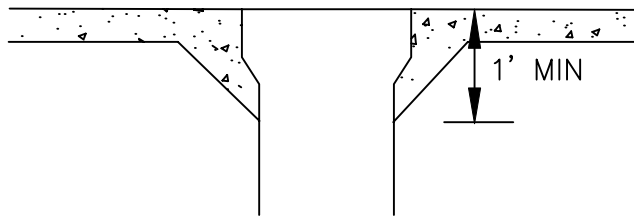
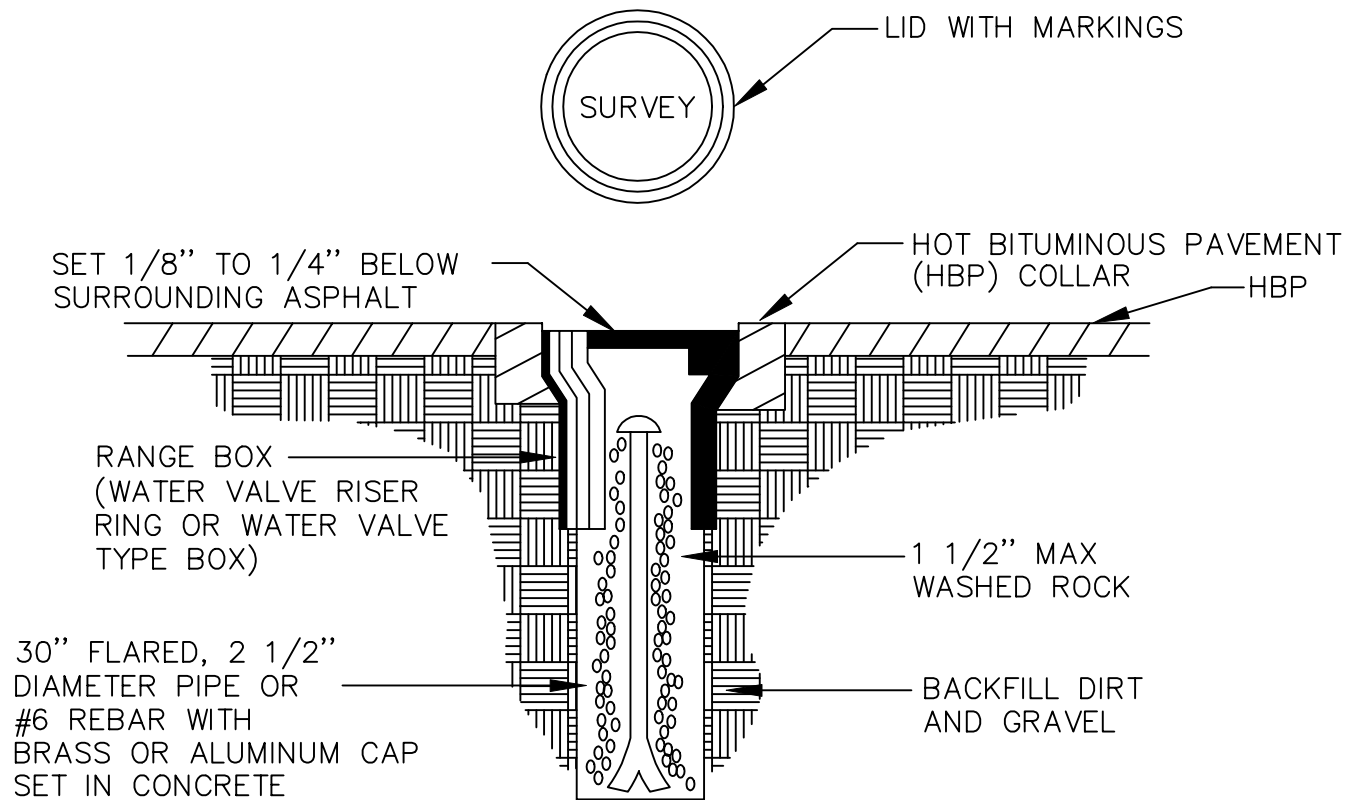


# CONCRETE PAVEMENT



SPECIFICATION DRAWING FOR  
SECTION CORNER IN RANGE BOX



## HOT BITUMINOUS PAVEMENT (HBP)

NOTES:

1. MONUMENT SHALL BE SET AND MONUMENT RECORD FILED IN ACCORDANCE WITH STATE OF COLORADO LAWS.
2. SEE SECTION 38-51-104 COLORADO REVISED STATUES.

DRAWN BY: JSH

CHECKED BY: RJH

APPROVED BY:  
DIRECTOR OF PUBLIC WORKS

CITY OF BOULDER, COLORADO  
SURVEY MONUMENT  
RANGE BOX

ISSUED: JULY 2, 1998

REVISED: OCT. 17, 2000

DRAWING NO.

2.11