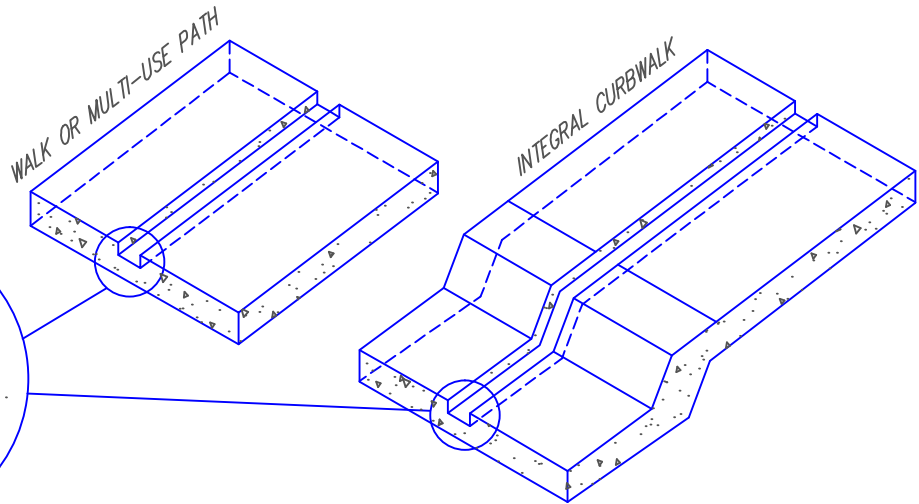
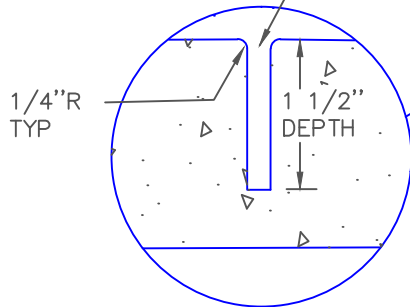
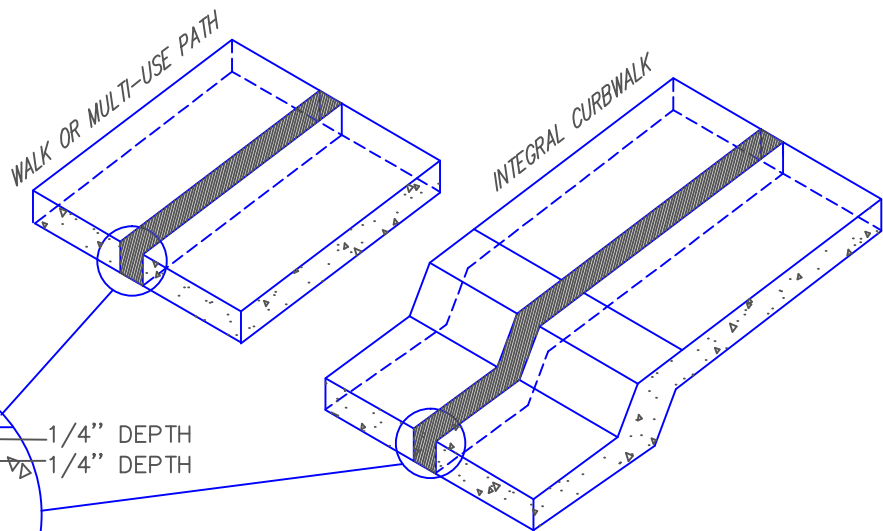
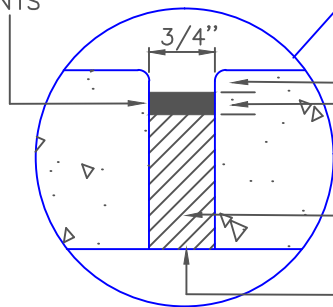


USE 1/4" (MAX.) WIDTH ON WALK & CURBWALK ONLY. ALL MULTI-USE PATH CONTRACTION JOINTS SHALL BE SAWCUT.



CONTRACTION JOINT

FILL WITH SILICONE SEALANT SEALANT SHALL BE ON CDOT APPROVED LIST OF SILICONE SEALANTS



3/4" PRE-MOLDED, NON-EXTRUDING AND RESILIENT TYPE EXPANSION JOINT MATERIAL TO MEET ASTM SPECS D-1751 OR D-1752

EXPANSION JOINT

DRAWN BY: JSH
CHECKED BY: WGH

APPROVED BY:
DIRECTOR OF PUBLIC WORKS

CITY OF BOULDER, COLORADO

CONCRETE WALK AND
MULTI-USE PATH JOINTS

ISSUED: JULY 2, 1998
REVISED: OCT 6, 2009

DRAWING NO.
2.02.C